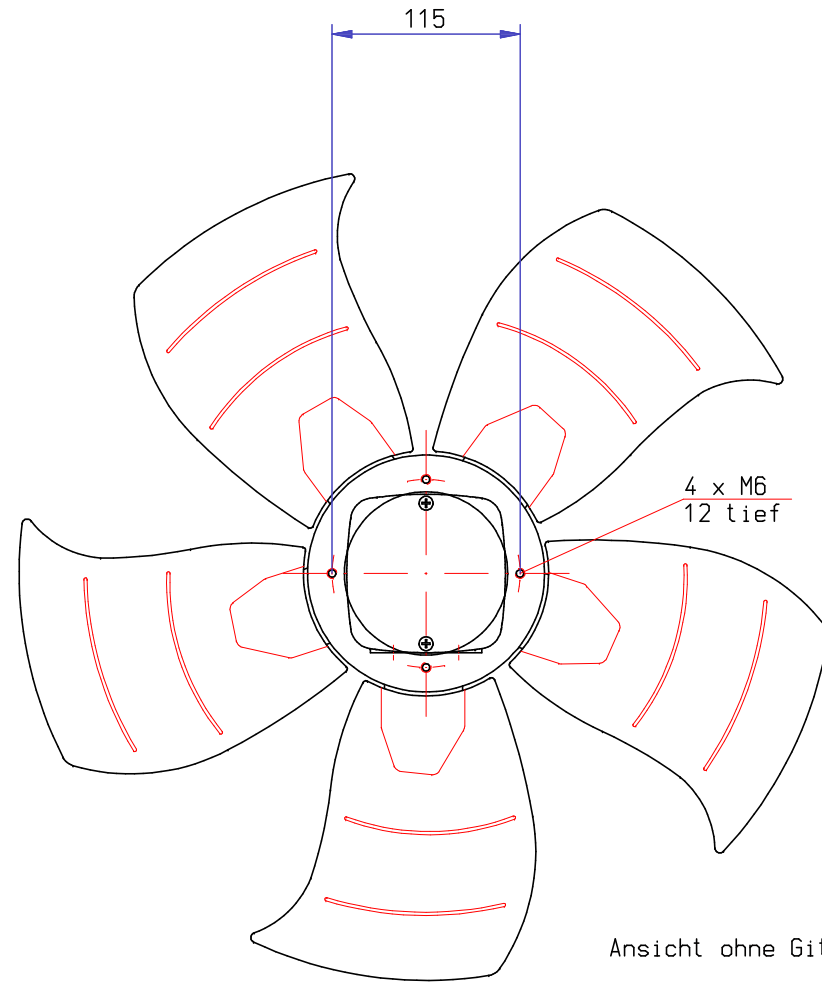



P11-50001



Ansicht ohne Gitter

|                  |                          |               |              |                       |  |  |                       |                         |
|------------------|--------------------------|---------------|--------------|-----------------------|--|--|-----------------------|-------------------------|
| Verfasser:<br>ZS | 9                        |               |              | Werkstoff<br>material | FreimäÙtoleranzen<br>dimensional variation<br>DIN 7168 m   | Baugröße<br>type<br>500 Förderrichtung "A" | Art. Nr. E__ - 500 __ | Maßstab<br>scale<br>1:3 |
|                  | 8                        |               |              |                       |  |  |                       |                         |
|                  | 7                        |               |              |                       |  |  |                       |                         |
|                  | 6                        |               |              |                       |  |  |                       |                         |
|                  | 5                        |               |              |                       |  |  |                       |                         |
| 4                |                          |               |              | Gewicht<br>weight     |  rosenberg<br>Ventilatoren GmbH<br>D - 74653 Künzelsau<br>Tel. (0794-0) 142-0 | ..\Hc\gz\..\aks\aksd500-4N_A3_P11-50001    |                       |                         |
| 3                |                          |               |              |                       |  |  |                       |                         |
| 2                |                          |               |              |                       |  |  |                       |                         |
| 1                |                          |               |              |                       |  |  |                       |                         |
| Nr.              | Änderung<br>modification | Datum<br>date | Name<br>name |                       |  |  |                       |                         |